

USER INSTRUCTIONS

DEVELIUS^{EV1 & EV2}

BY EDWARD VAN VLIET
2018



Congratulations with your new Develius Sofa, designed in 2018 by Edward Van Vliet. We hope you will enjoy using this product and follow these instructions to ensure correct installation. If you have any questions or comments, please do not hesitate to contact us by mail on:

info@andtradition.com

CONTENTS

- A - Modules
- B - Brackets (2 pcs. supplied for each module)
- C - Screws (4 pcs. supplied for each module)

Please read these instructions carefully and retain them for future reference to ensure that the product is correctly installed should it be moved or sold. For your own safety, please study each step of this instruction manual before you commence installation. &tradition are not responsible for any faults or damages caused by not following these instructions correctly. Do not modify this product in any way.

TOOLS NEEDED

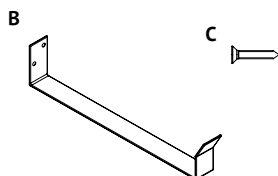
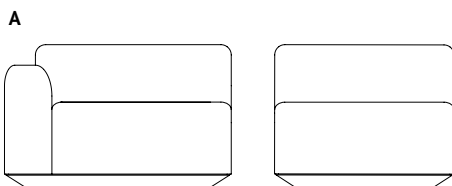
- Phillips-head screwdriver

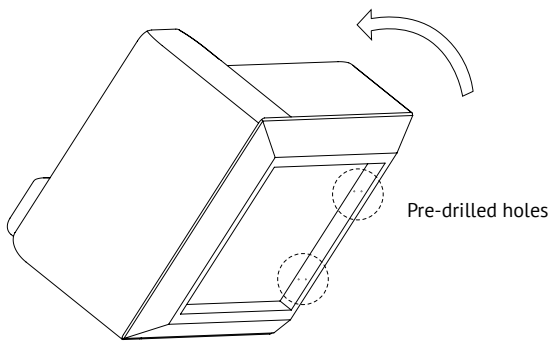
SAFETY PRECAUTIONS

- Dispose of any plastic bags and foam from packaging and do not allow children to play with it.
- The sofa is only intended for interior use.
- Two people are needed to assemble this product. Do not assemble on your own.

CLEANING INSTRUCTIONS

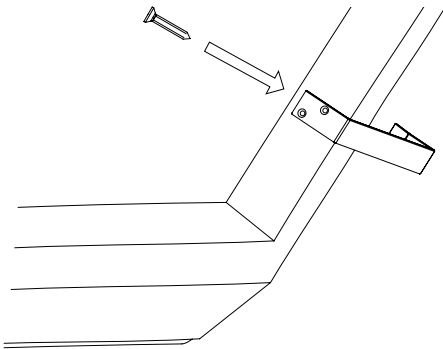
- Vacuum the furniture regularly using the upholstery nozzle to remove dust and avoid fluff and pilling.
- Straighten the fabric with your hands from time to time. Wrinkles in the fabric can be straightened using a steamer.
- Soak up spilled liquids immediately with an absorbent napkin or cloth by dabbing gently towards the centre of the stain.
- Most stains can be removed with lukewarm water on a clean lint-free cloth. If necessary, add a little neutral detergent. Avoid rubbing the material hard as this could result in loss of colour and damage the fabric. It may also be necessary to use a hairdryer to avoid leaving an outline.
- Never use concentrated detergents or bleach ammonia or soap intended for hard surfaces.





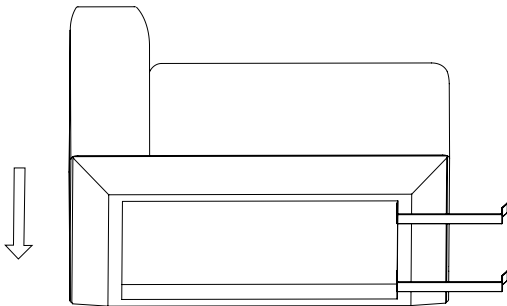
STEP 1

Tilt one of the modules carefully on to the back. When the sofa is standing on the back - take notice of the pre-drilled holes in the wooden frame.



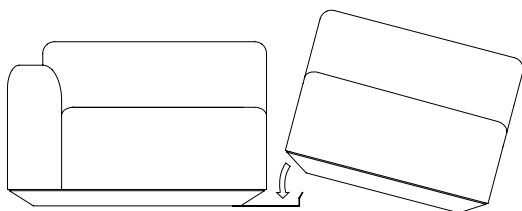
STEP 2

Place the linking brackets over the pre-drilled holes and fasten with the supplied screws using a screwdriver.



STEP 3

When the brackets are firmly attached to the module - carefully lift the module back on the feet again.



STEP 4

Two persons are needed for this step. Do not assemble the modules on your own. Take the next module which is supposed to be attached to the first module and lift it over the brackets and carefully put the module down over the brackets from the other module. Make sure that both modules are firmly standing on the ground.