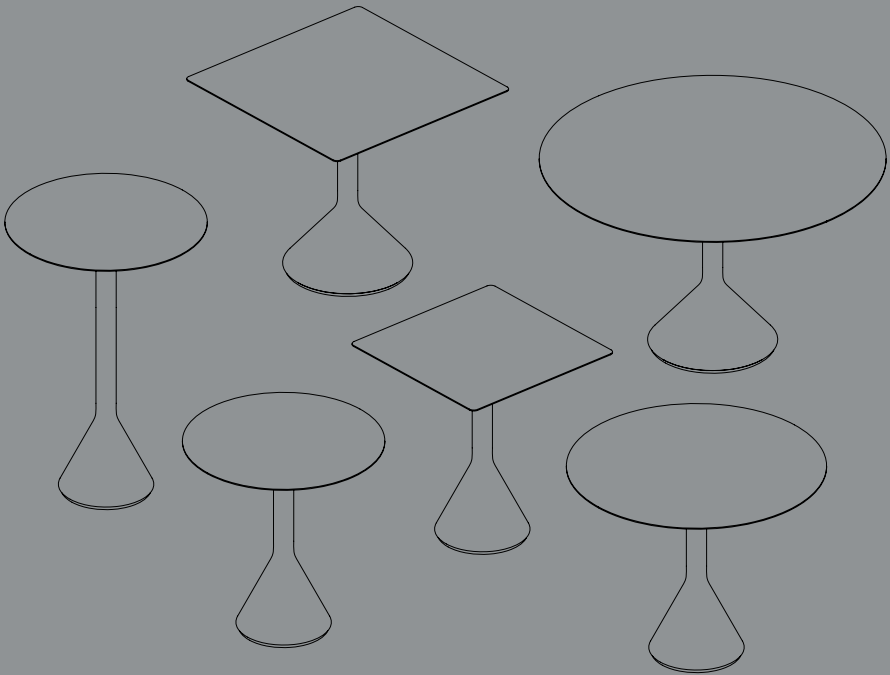


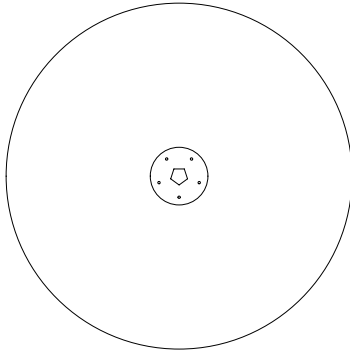
PALISSADE CONE TABLE



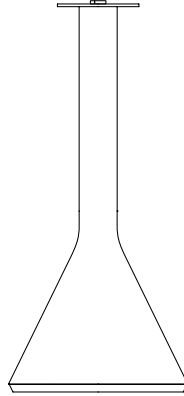
DESIGN BY RONAN & ERWAN BOURULLEC

HAY

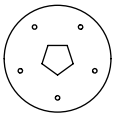
- PARTS -



A Tabletop x1



B Base x1



C Washer x1

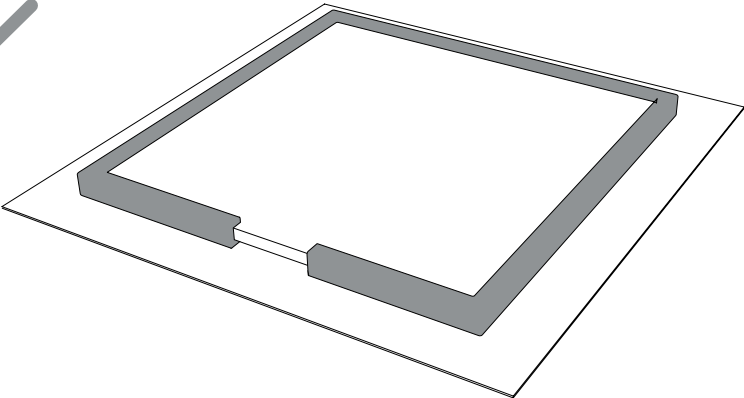
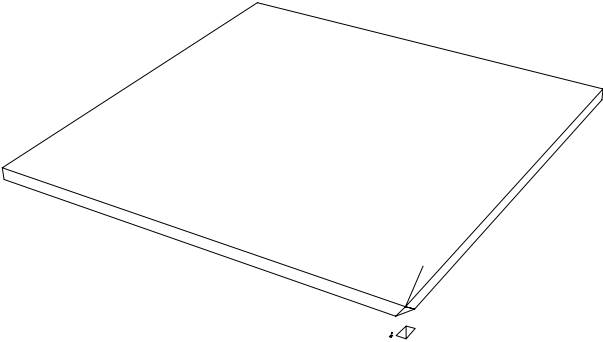


D Allen key x1



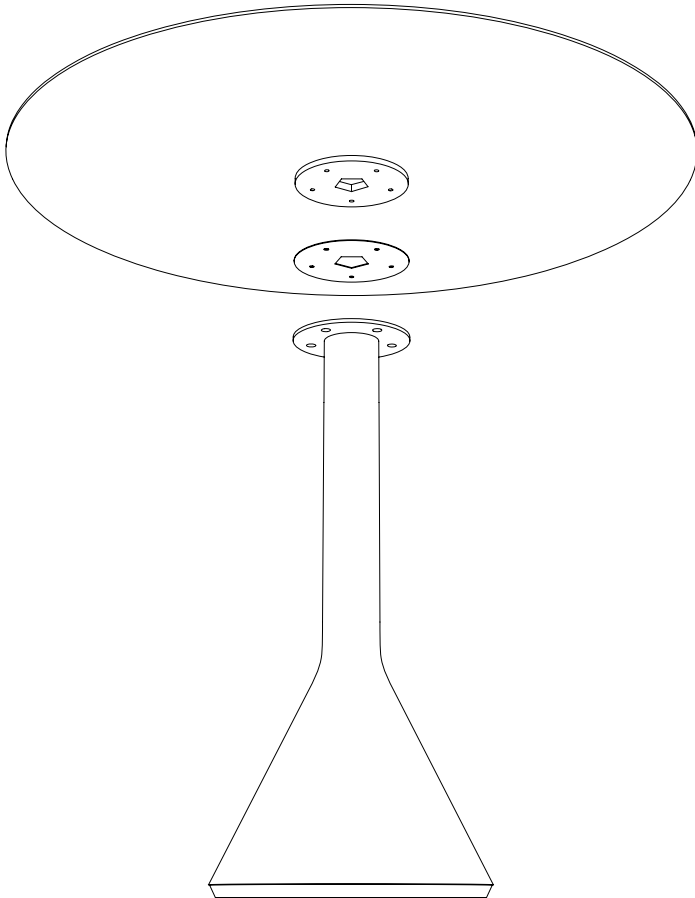
E Screw x5

Protect the table top from scratches and other damage while assembling.



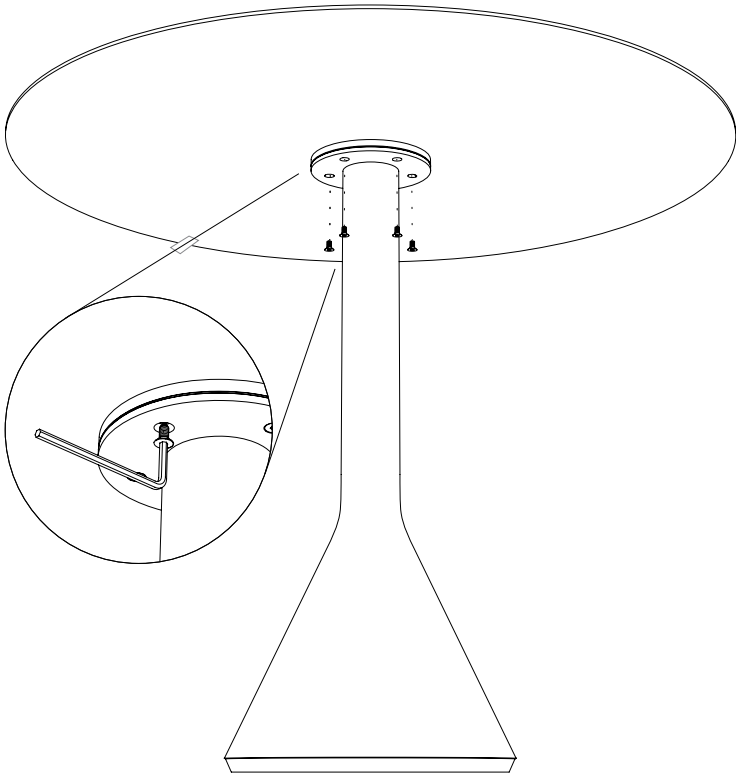
1.

Place the **A** part on top of the **B** part, inserting the **C** part in between them.



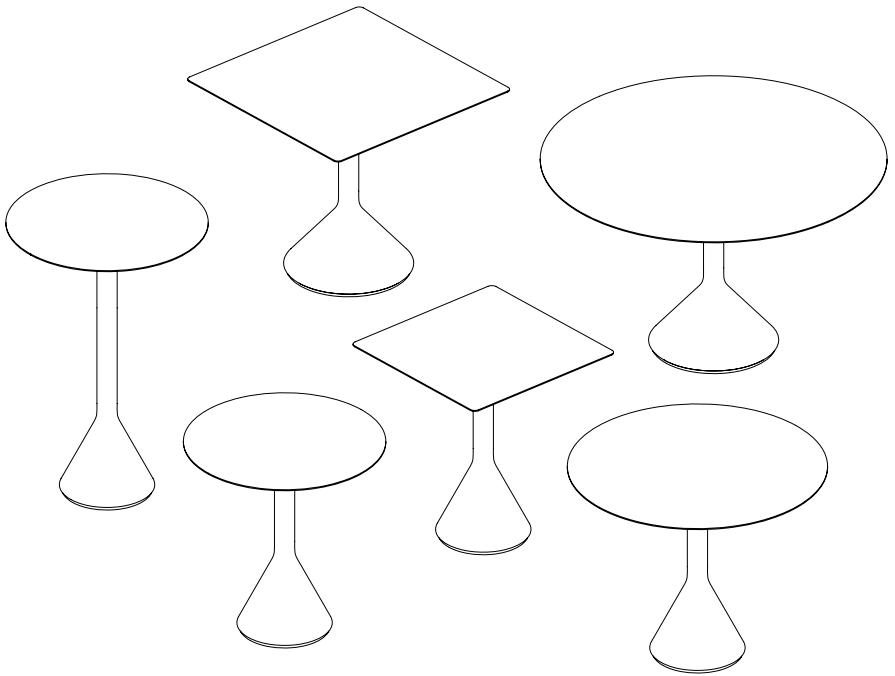
2.

Fasten the screws **E** with the Allen key **D**. Make sure all screws are inserted before tightening them completely.



3.

Done!



Havnen 1 8700 Horsens Denmark
+45 3164 6000 / hay@hay.com

10/01/2023

HAY